



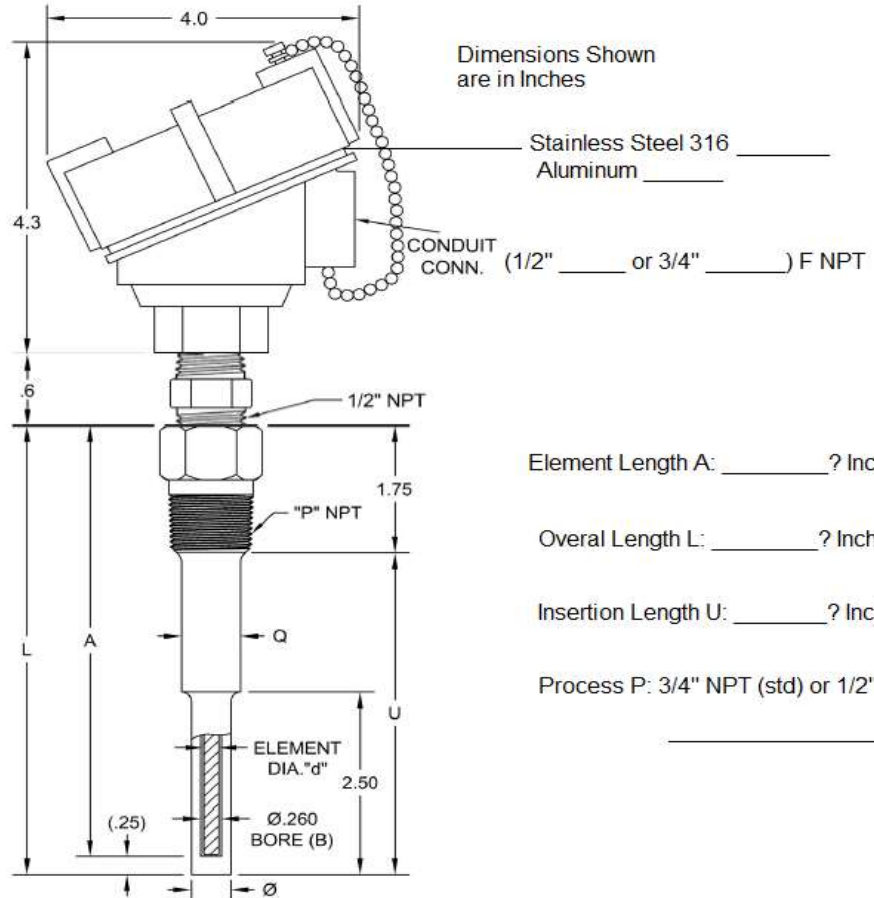
DYNAMIC SENSORS INC.

RTD	3 Wire	4 Wire	6 Wire
Simplex			
Duplex			

Thermocouple	Simplex (2 Wire)	Duplex (4 Wire)	Other
Type: K, J, T, E, N?			
Grounded			
Ungrounded			

Transmitter	Calibration	
Type	Range?	C or F
Standard		
Hart		

Any Additional Details and/or Requirements:



Dimensions Shown
are in Inches

Stainless Steel 316 _____
Aluminum _____

CONDUIT
CONN. (1/2" _____ or 3/4" _____) F NPT

1/2" NPT

"P" NPT

ELEMENT
DIA. "d"
Ø.260
BORE (B)

Element Length A: _____ ? Inches or mm?

Overall Length L: _____ ? Inches or mm?

Insertion Length U: _____ ? Inches or mm?

Process P: 3/4" NPT (std) or 1/2" NPT or Other?

ORIGIN

Country of Origin USA

Tariff Code 9032.90.0000

Tube Material is 316 SS Dwg RFQ Sheet Rev A

Drawn by Octavio Serrano
Approved by Octavio Serrano

Dynamic Sensors, Inc.
63 Monarch Trail, Sugarland TX 77498
www.dynamic-sensors.com

Rev 06172005

